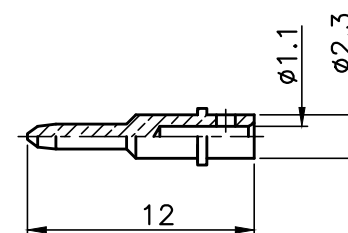
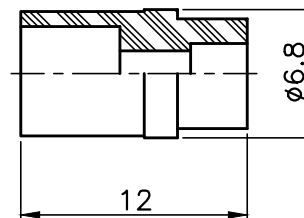
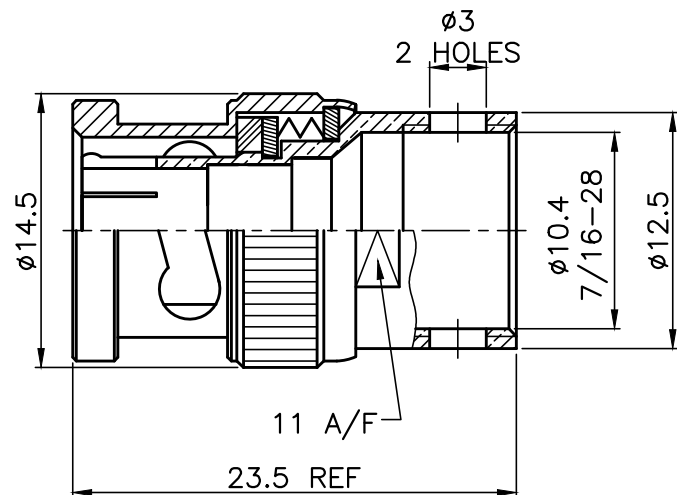


REVISIONS	
ISS	DESCRIPTION\DATE

RoHS COMPLIANT



CONNECTORS CABLES



SPECIALISTS LTD.

TITLE: BNC MALE/ ANT STYLE

PART NO: BPCANTBLK3P

DRAWING NO: 030

APRD:	UNLESS OTHERWISE SPECIFIED TOLERANCES 0.5-6 = ±0.2 >6-30 = ±0.4 >30-120 = ±0.6 >120-315 = ±1 >315-1000 = ±1.6 ANGLES = ±5°	CONTACT PIN	BRASS	GOLD
CHKD:		INSULATOR	DELTRIN	WHITE
DR:		WASHER	STEEL	BLACK CHROME
DATE: 01/25/18"	UNIT: mm	SPRING	STEEL	NICKEL
SHEET: .	SCALE: 2.5/1	C WASHER	STEEL	NICKEL
		GASKET	SILICONE	RED
		BODY	BRASS	BLACK CHROME
		SHELL	BRASS	BLACK CHROME
		NO. DESCRIPTION	MATERIAL	FINISH